



- Wide variety of applications from industrial to consumer products
- Single pole single throw with 250VAC neon lamp or 24VDC tungsten lamp
- Quick connect termination
- Full or dot illumination
- Numerous choices in illumination colors and markings

Specifications

| | |
|--------------------|----------------------------------------------------------------------------|
| Switch Function | SPST |
| Electrical Ratings | UL 61058-1 15A @ 125VAC General Purpose 10A @ 250VAC General Purpose |
| Electrical Life | 10,000 cycles typical |

| | |
|-----------------------|----------------|
| Contact Resistance | ≤ 50mΩ initial |
| Dielectric Strength | 1500Vrms min |
| Insulation Resistance | ≥ 100MΩ min |
| Operating Temperature | -20°C to 70°C |
| Storage Temperature | -20°C to 70°C |

Materials

| | |
|---------------|----------------------------|
| Base | 6/6 Nylon |
| Housing | 6/6 Nylon |
| Actuator | 6/6 Nylon or Polycarbonate |
| Actuator Lens | Polycarbonate (PC) |
| Contacts | Silver Alloy |
| Terminals | Brass, Silver Plated |

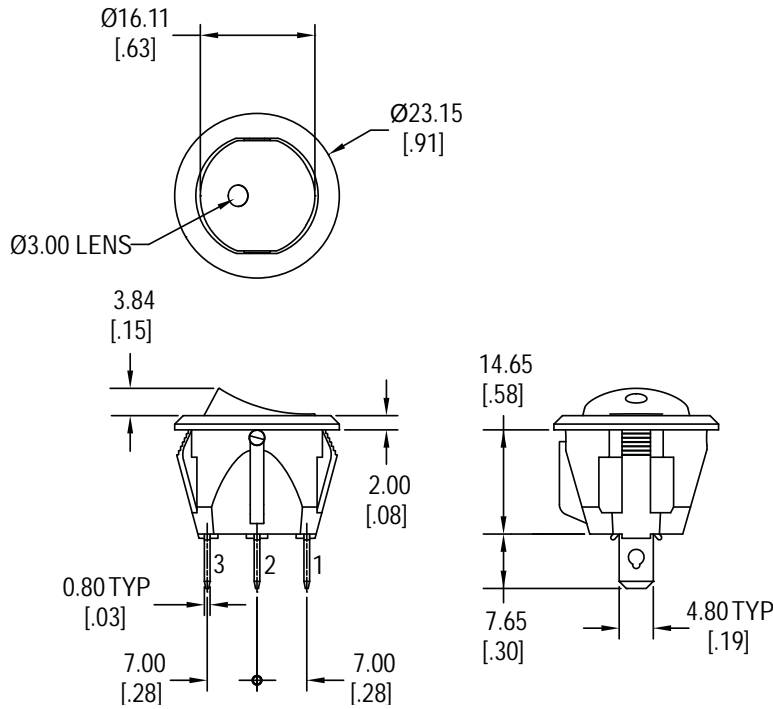
RR3

Neon / Tungsten Lamp Illuminated Round Rocker

Ordering Information

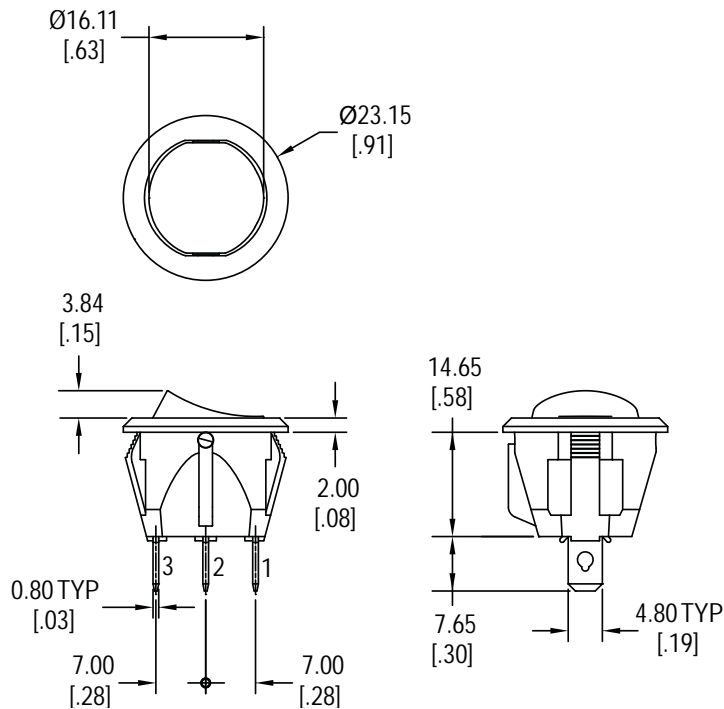
| | | | | | | | | |
|--------------------------------------|----------------------------------------------|------------|---|---|-----|----|---|-----|
| 1. Series | RR3 | 1 | 1 | 2 | 23T | FB | C | N17 |
| RR3 | | | | | | | | |
| 2. Number of Poles | | | | | | | | |
| 1 = Single Pole | | | | | | | | |
| 3. Switch Function | | | | | | | | |
| 1 = OFF - ON | | | | | | | | |
| 4. Housing Color | | | | | | | | |
| 1 = White | | | | | | | | |
| 2 = Black | | | | | | | | |
| 9 = Gray | | | | | | | | |
| 5a. Solid Actuator Color with Lens | <i>**Requires lens color choice below</i> | | | | | | | |
| 1 = White | 4 = Yellow | 7 = Blue | | | | | | |
| 2 = Black | 5 = Green | 8 = Purple | | | | | | |
| 3 = Red | 6 = Orange | 9 = Gray | | | | | | |
| Lens Color | | | | | | | | |
| 0T = Clear (Transparent) | 5T = Green (Transparent) | | | | | | | |
| 3T = Red (Transparent) | 7T = Blue (Transparent) | | | | | | | |
| 4T = Yellow (Transparent) | | | | | | | | |
| 5b. Transparent Actuator Color: | | | | | | | | |
| 1T = White | 5T = Green | | | | | | | |
| 3T = Red | 6T = Orange | | | | | | | |
| 4T = Yellow | 7T = Blue | | | | | | | |
| 6. Actuator Marking | <i>**Requires marking color choice below</i> | | | | | | | |
| A | E | | | | | | | |
| B | F | | | | | | | |
| C | G | | | | | | | |
| D | K | | | | | | | |
| Actuator Marking Color | | | | | | | | |
| Blank = No Marking | | | | | | | | |
| B = Black | | | | | | | | |
| W = White | | | | | | | | |
| R = Red | | | | | | | | |
| 7. Terminal Option | | | | | | | | |
| C = .187" Quick Connect / Solder Lug | | | | | | | | |
| 8a. Lamp Options | | | | | | | | |
| N1 = 125VAC Neon Lamp | <i>**Requires lamp color choice below</i> | | | | | | | |
| N2 = 250VAC Neon Lamp | <i>**Requires lamp color choice below</i> | | | | | | | |
| Neon Lamp Colors | | | | | | | | |
| 0 = standard lamp | | | | | | | | |
| 5 = Green | | | | | | | | |
| 7 = Blue | | | | | | | | |
| 8b. Lamp Options | | | | | | | | |
| T12 = 12VDC Tungsten Lamp | | | | | | | | |
| T24 = 24VDC Tungsten Lamp | | | | | | | | |

Dimensions



| Function | Position 1 | Position 2 |
|-----------|------------|------------|
| 1 | OFF | ON |
| Terminals | -- | 1 ~ 2 |

Solid Actuator with Lens

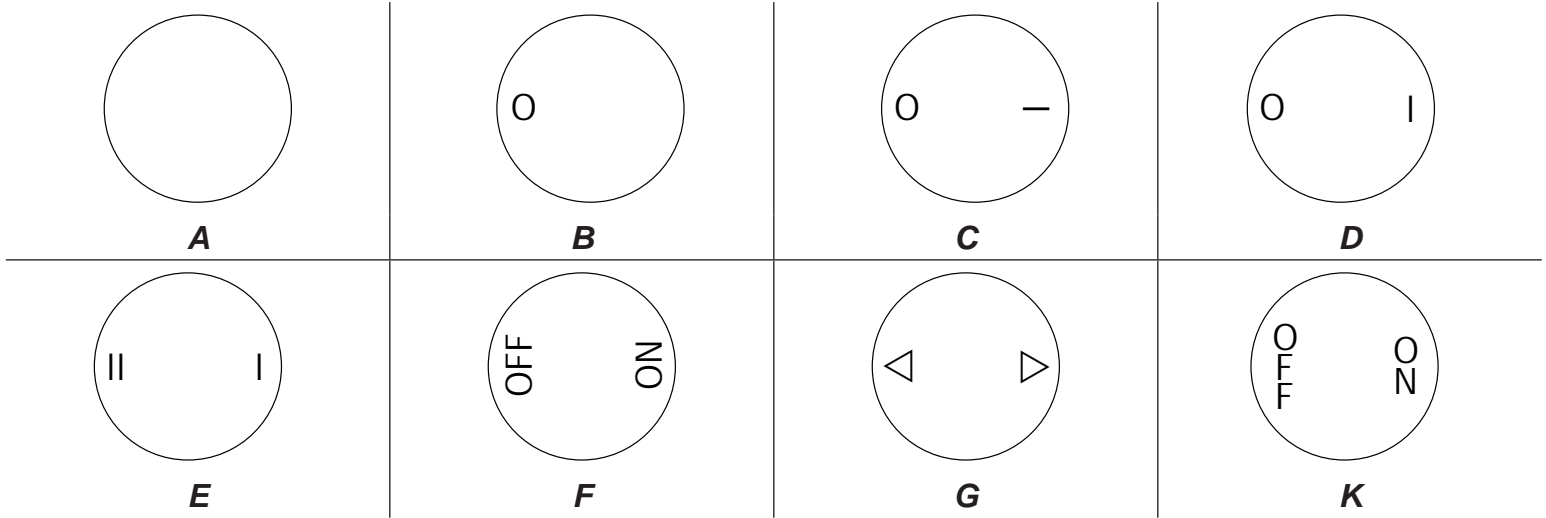


Transparent Actuator

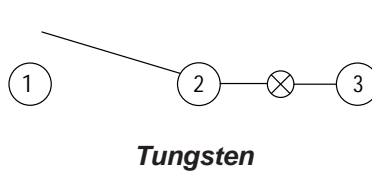
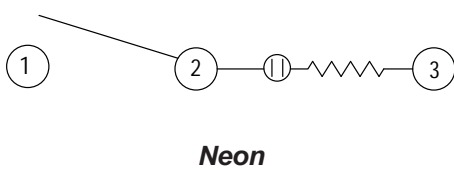
RR3

Neon / Tungsten Lamp Illuminated Round Rocker

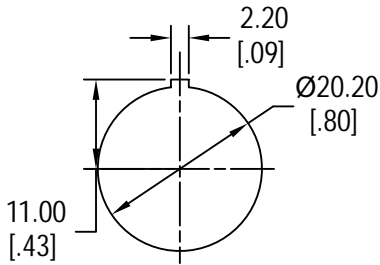
Actuator Marking Options



Schematics



Panel Cut Out



Panel cut out material thickness : 0.8mm ~ 3.0mm

Terminal Options

